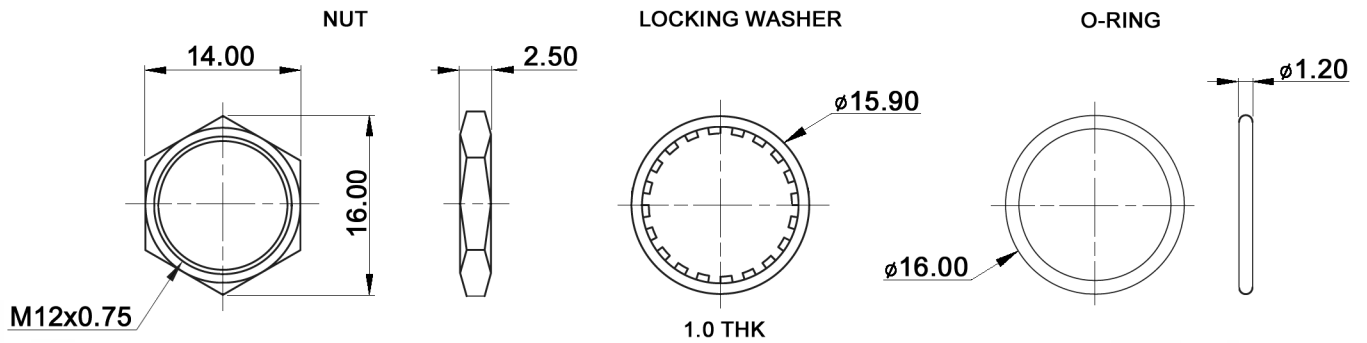


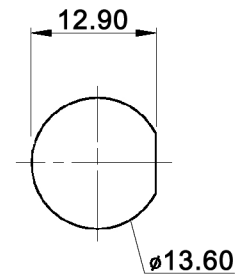
HARDWARE:



SWITCH FUNCTION

Model No.	POS. 1	POS. 2
DPW 1 CG	OFF	MOM
Term. Comm.	OPEN	SHORT

PANEL CUT-OUT



Compliance: RohS III (2015/863/EU)

Tolerances:	0.00: ±0.25mm	0.0: ±0.40mm	Date	Name
			11/10	dr

DPW 1 CGD1P-x

Accessory	10/19	dr	knitter-switch	30 22 41	Page
IP rating	07/11	dr			1/2
Modifications	Date	Name			

Specifications:

Contact rating: max.: 500mA, 48V AC; 200mA, 50V DC; 200mA, 250V AC
Contact resistance: 50mOhm max.
Insulation resistance: 1GOhm min. at 500V DC
Dielectric strength: 1500V AC RMS
Mechanical life: 1 000 000 cycles
Electrical life: 500 000 cycles
Operating force: 2-5N
Soldering conditions: 350°C max., 5sec.
Panel thickness: 1.5mm - 4mm max.
Travel: 1.5mm
Contact bounce: 10ms
Torque: 1.5Nm max. applied to nut
Material: Case: diallyl phthalate (DAP) (UL94V-0)
 Cap: polyamide 6/6
 Terminal / contacts: gold over silver plated
 Bushing: zinc alloy, black ED-coated
IP rating: IP 67 (mounted)

x	Cap colour
W	white
K	black
R	red
O	orange
Y	yellow
G	green
B	blue

Compliance: RohS III (2015/863/EU)

Tolerances: 0.00: ±0.25mm 0.0: ±0.40mm		Date	Name	DPW 1 CGD1P-x
		11/10	dr	
Accessory	10/19	dr	knitter-switch	30 22 41
IP rating	07/11	dr		
Modifications	Date	Name		